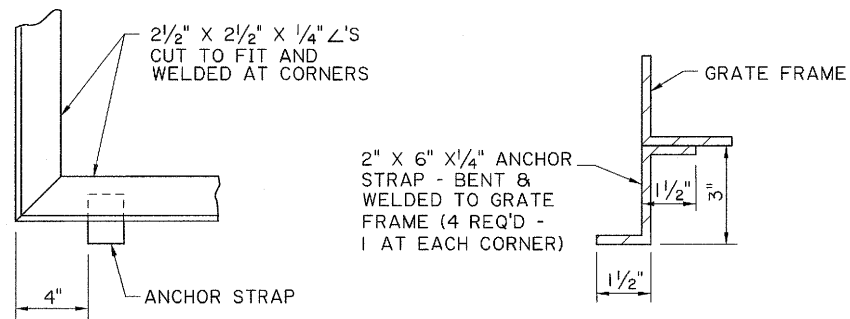
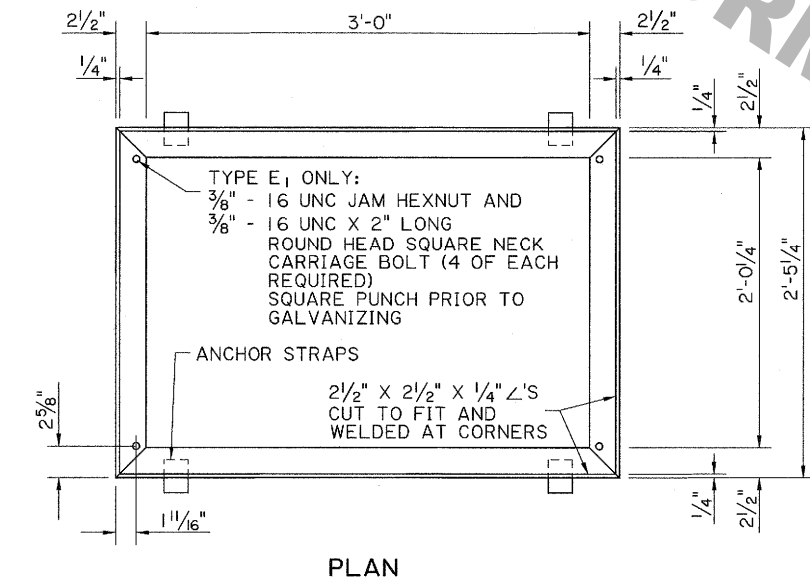
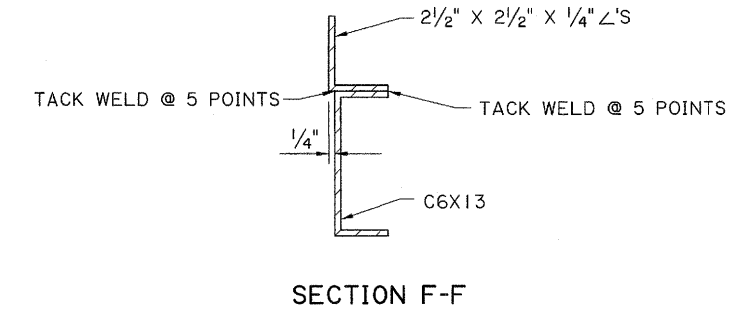


**TYPE "D"**  
**CAST IRON GRATE**  
 WEIGHT OF CASTING = 49 LBS

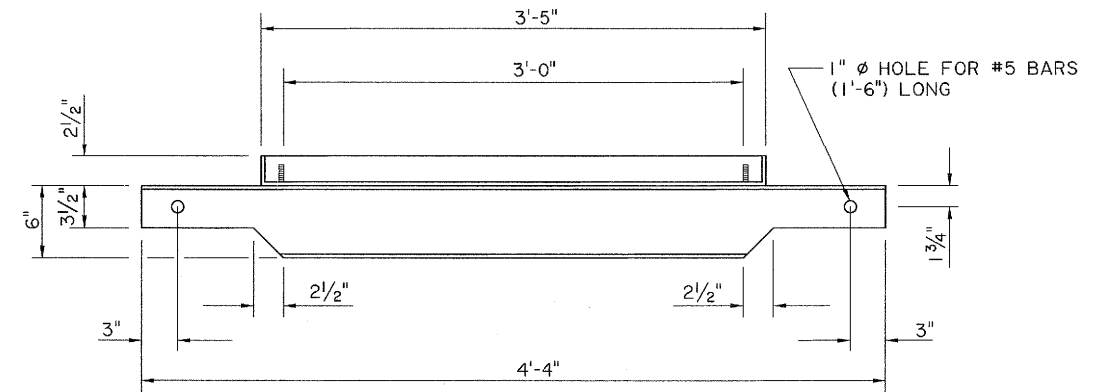


**ANCHOR STRAP DETAILS**  
**TYPE "E" OR "E1"**  
**STEEL GRATE FRAME**

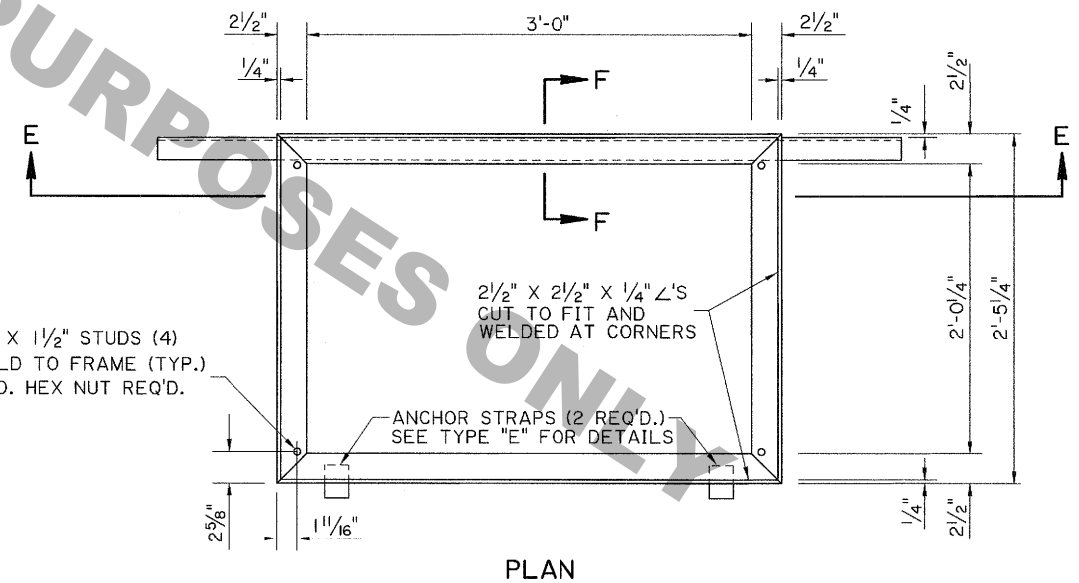
NOTES: 1. GRATE FRAME TO BE GALVANIZED AFTER FABRICATION  
 2. WEIGHT OF GRATE FRAME = 52 LBS



SECTION F-F



SECTION E-E



**TYPE "F"**  
**STEEL GRATE FRAME**

NOTES: 1. GRATE FRAME TO BE GALVANIZED AFTER FABRICATION  
 2. WEIGHT OF GRATE FRAME = 52 LBS ± 5%

SHEET NUMBER		PARISH		DESIGNED		MH	
PROJECT		FEDERAL PROJECT		CHECKED		JDK	
STATE		DATE		REVISION DESCRIPTION		BY	
PROJECT		SHEET		GENERAL REVISIONS		JCM	
8-15-77		2 OF 4		GENERAL REV. - ADD TYPE K1, REVISED TYPES C,E,I,N		DATE	
				GENERAL REVISIONS - DELETE TYPES G,J,L,M,O		4-16-12	
				APPROVED BY		DATE	
				CHIEF ENGINEER		Richard J. Davis	
LA LOUISIANA		LA LOUISIANA		LA LOUISIANA		LA LOUISIANA	
DETAILS OF GRATES, GRATE		DETAILS OF GRATES, GRATE		DETAILS OF GRATES, GRATE		DETAILS OF GRATES, GRATE	
FRAMES AND COVERS FOR		FRAMES AND COVERS FOR		FRAMES AND COVERS FOR		FRAMES AND COVERS FOR	
CATCH BASINS AND MANHOLES		CATCH BASINS AND MANHOLES		CATCH BASINS AND MANHOLES		CATCH BASINS AND MANHOLES	
STANDARD PLAN		STANDARD PLAN		STANDARD PLAN		STANDARD PLAN	
MC-01		MC-01		MC-01		MC-01	
DOTD		DOTD		DOTD		DOTD	
HYDRAULICS SECTION		HYDRAULICS SECTION		HYDRAULICS SECTION		HYDRAULICS SECTION	